

Item ref.: 22-245 Extended Code: 22-245

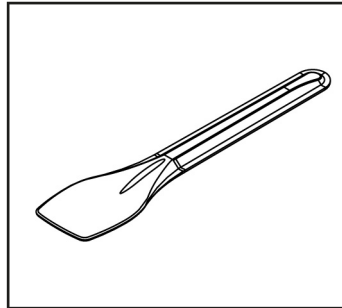
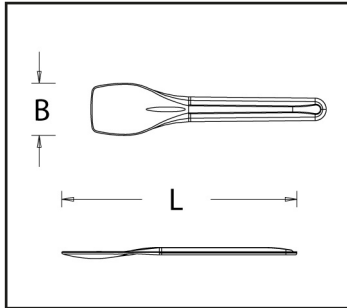
Item description: FS ICE CREAM SPOON DEGRADABLE 9,5 14x710 Colour: \_\_\_\_\_

Material: PS + Poly-Bi Technology: Injection molding

EAN code: 7394379881548 Customizable

Restriction in use: not microwaveable

**PRODUCT SPECIFICATIONS**



U.M.= mm

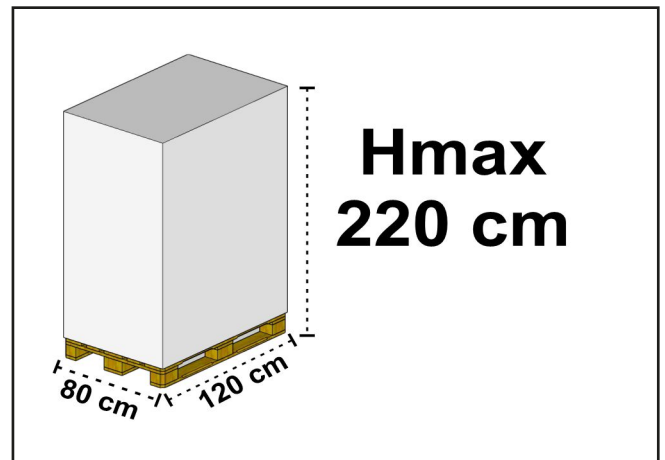
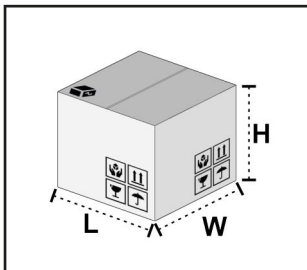
Net weight (gr): 1,50 Total capacity (cc): \_\_\_\_\_

Length (L): 95,00 Width (B): 21,00 Height (H): \_\_\_\_\_

Int. Diameter (d1): \_\_\_\_\_ Ext. Diameter (d2): \_\_\_\_\_

Note: Oxo-degradable product. Subject to restrictions starting in 2020

**PACKAGING SPECIFICATIONS**



U.M.= cm

Nr of pcs per box \_\_\_\_\_

Nr of pcs per inner packaging: \_\_\_\_\_

Nr of inner packaging per box: \_\_\_\_\_

Box measures: Length: 39,00 Width: 59,00 Height: 34,00

Box gross weight (Kg): 14,80 Nr of boxes per pallet: 24



**YOUR PARTNER IN SWEET CREATIONS.**



**CERTIFICATIONS**



**Alcas s.p.a.**  
**Head Office**

Via Livorno, 21/23  
50142 Firenze (FI) Italy

**Offices and Warehouse**

Via dell'Industria, 13/15  
50056 Montelupo F.no (FI) Italy

Phone +39 0571 59561 Fax. +39 0571 992201  
VAT IT00786080481

## COMPLIANCE DECLARATION FOR MATERIALS AND PRODUCTS SUITABLE TO GET IN CONTACT WITH FOOD

We hereby declare that:

Item	Material	Area/Volume Ratio* (mm <sup>2</sup> /cc)	Duration of contact (days)	Temperature of contact (°C)
22-245	PS + Poly-Bi		10,00	40,00

Materials abbreviation: PET (Polyethylene terephthalate), PLA (Polylactic acid), PP (Polypropylene), PP/PET (Polypropylene/Polyethylene terephthalate), PS (Polystyrene), PET MS (Multilayer polyethylene terephthalate), PLA MS (Multilayer polylactic acid), PS MS (Multilayer Polystyrene) and PS + Poly-Bi (polystyrene + Poly-Bi® additive).

\*Where it is not possible to determine the surface / volume ratio calculations were performed assuming that 1 kg of food is in contact with 6 dm<sup>2</sup> of packaging material .

Supplied for the packaging of food from class 1 to 8

1) Is in compliance with all pertaining legislative dispositions, with particular reference to the following European Union legislation:

- ✓ Regulation (EU) 10/2011 and following upgrades and amendments
- ✓ Regulation (EU) 1935/04 and following upgrades and amendments
- ✓ Regulation (EU) 1895/05 and following upgrades and amendments

And to the following Italian legislation:

- ✓ D.M. 21/3/73 and following upgrades and amendments
- ✓ DPR 777/82 and following upgrades and amendments

2) The material may contain substances subject to restrictions in the above mentioned but it respects the limits of global migration and specific restrictions listed in Annex I and II of the Regulation 10/2011. The limit of global migration, as well as other specific restrictions to which monomers and/or other additives present in the material can be subject, are respected in the above mentioned terms of use. This statement is supported by test of analyses or on the base of calculations made in consideration of the content of the substances subject to migration limits, made in accordance with DM 21/3/73 and Regulation (EU) 10/2011 and following revisions and changes.

3) The material may contain substances regulated by Regulations (EU) 1333/08 and 1334/08 (substances are also called "dual use" additives ). According to experimental data and/or theoretical calculations these substances are in conformity with what indicated in letters a, b of the paragraph 3 of the article 11 of the Regulation (EU) 10/2011, and the DM 21/03/1973.

4) The product is manufactured according to good manufacturing practice (GMP) of the Regulation (EU) 2023/2006. The user of the material destined to contact with food has the responsibility to inform the company of any restriction on the composition's characteristics (additives and aromas) of the food to be packed.

The product can be used, along with food, in the traditional oven  
The product can be used, along with food, in the microwave oven  
The product can be used, along with food, at low temperatures  
(Minimum temperature: -18 ° C; Time: 1.5 days)

Yes  No   
Yes  No   
Yes  No

Alcas S.p.A is a user of the Poly-Bi® technology for the production of polystyrene (PS) manufactured products / packaging making the products fragmentable in medium-long term, but within 10 years of disposal.

The validity of the declaration starts from the below mentioned date of issue, the declaration must be replaced if any substantial change in the production of the material, intended to vary essential compliance characteristics should occur, or should legislative reference be amended and upgraded so as to require a new verification for compliance purposes.

This declaration refers to the product as supplied by Alcas S.p.A. and does not extend to subsequent modifications and / or treatments (chemical, thermal, etc.) made by third parties or by an incorrect use of the product itself. For further information contact our Quality Department at [qualita@alcas.it](mailto:qualita@alcas.it)

Chief Executive  
Stefano Casebasse

Data ..... 14/04/20 .....

Signature .....